



COMMERCIAL

RAILING SIMPLIFIED

Fe²⁶ PLUS IRON RAILING | CABLE RAILING
Al¹³ ALUMINUM RAILING | CUSTOM RAILING

www.FortressRailing.com

BUILDING CODE COMPLIANCE & TESTING

Fortress Railing Products exceeds current code performance standards and it is within our core values to do so. Our product has undergone rigorous testing by a third party affiliate, delivering a physically tested system that withstands established load requirements with its entire system. The majority of standard shop welded systems or kits are not capable of meeting this criteria and can be a liability to the builder and owner.



Here are the building codes our product managers use to build all our products.

- ICC (International Code Council)
- ICC-ES AC273 Acceptance Criteria for Handrails and Guards
- IBC (International Building Code)
- IRC (International Residential Code)
- NBCC (National Building Code of Canada)
- OBC (Ontario Building Code)
- BCBC (Building Code of British Columbia)
- ABC (Alberta Building Code)

3RD PARTY TESTING AFFILIATE: INTERTEK

CODE COMPLIANCE



Intertek

CCRR-0192

Intertek's ETL Mark of certification for the building products market provide the evidence, technical information, and professional evaluation that a building official relies upon to determine that a product, component, or method complies with international building codes. This means that our products have been:

- Tested and evaluated for conformance to building code requirements
- Manufactured under a recognized and approved quality control system
- Conforms on an ongoing basis via unannounced inspections by a qualified independent agency

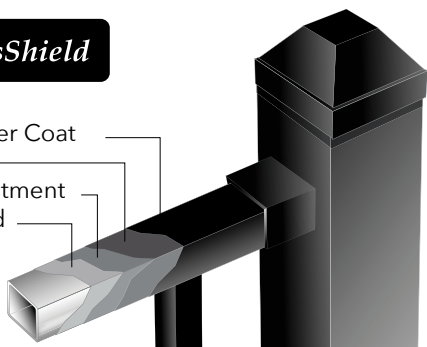
COATING PROCESS

Fe²⁶ PLUS IRON RAILING

Protected with



Premium Powder Coat
E-Coat
Quality Pre-treatment
Zinc Galvanized

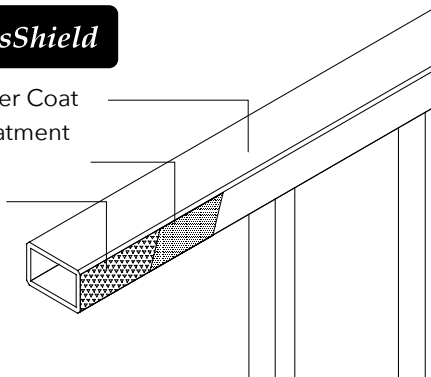


Al¹³ ALUMINUM RAILING

Protected with



Premium Powder Coat
Quality Pre-Treatment
Alloy Extruded
Tube



Fe²⁶ PLUS | COMMERCIAL RAILING SIMPLIFIED



FEATURES & BENEFITS

- Pre-welded Panels with Patent Pending bracket system
- FortressShield Coated utilizing the automotive coating process to resist rust and corrosion
- Use with wood, composite, vinyl, and Fortress metal posts
- Quick and easy installation
- Commercially tested, Panels are tested in accordance with ICC-ES AC273, NBCC, OBC, ABC, and BCBC

PREMIUM FINISH

Gloss Black

CABLE RAILING SIMPLIFIED



FEATURES & BENEFITS

- 1st Panelized Vertical Cable Railing system in the Cable Railing Industry
- FortressShield Coated utilizing advanced automotive coating process to resist rust and corrosion
- Pre-assembled for ease of installation
- 316 Marine Grade Stainless Steel Cable and Components
- Works with Wood, Composite, Vinyl and Fortress metal posts
- Quick and Easy Installation
- Meets ICC-ES AC273, NBCC, OBC, ABC, and BCBC standards

PREMIUM FINISH

Black Sand

AI¹³ | ALUMINUM RAILING SIMPLIFIED



FEATURES & BENEFITS

- Pre-welded Panels with Patent Pending bracket system
- Distinctly different from the traditional Aluminum Kits
- Tested in accordance with ICC-ES AC273, NBCC, OBC, ABC & BCBC
- Quick and Easy Installation
- 100% recyclable
- Superior performance in strength and safety
- Use with Wood, Composite, Vinyl or Fortress metal posts

PREMIUM FINISH

Gloss Black

White

Black Sand

CUSTOM RAILING SIMPLIFIED



CODE
COMPLIANCE



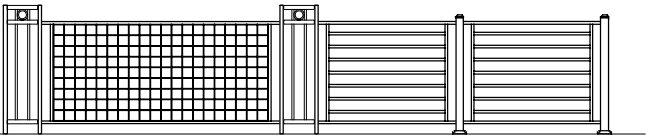
Intertek
CCRR-0192



FEATURES & BENEFITS

Looking for a railing not available in Fortress Railing Products vast offerings? Fortress Railing Products has the capabilities to design and manufacture a custom railing to meet your specific needs. What are the benefits of Custom Fabrication with Fortress Railing Products?

Receive consistent quality you already trust from a nationally recognized industry manufacturing leader. Now you can make your dreams a reality while keeping the benefit of speedy installation using Fortress Railing Products easy bracket system. Custom fabricated products are pre-galvanized steel, zirconia rinsed and dual powder coated and carry a 5 year limited manufacturer



EASY AS 1, 2, 3 FORTRESS



www.FortressRailing.com



STRENGTH YOU CAN LEAN ON.

There's a reason Fortress Railing Products is one of the strongest brands in the railing industry. From commercial, code-tested products to diverse residential styles, Fortress Railing Products is a category creator, with a complete line of railing solutions to turn your outdoor space into a living place.

www.FortressRailing.com